

DuroFlow® Truck Blowers



GD
GARDNER DENVER™

Experience Proven Results™



The Gardner Denver DuroFlow® Family of Products

For over fifty years, Gardner Denver DuroFlow positive displacement blowers/vacuum pumps have combined leading-edge technology and on-the-job experience to continuously deliver enhanced designs and improved performance.



The DuroFlow® Advantage

Experience the DuroFlow Advantage—high output and high efficiency at a competitive price. Ideal for a variety of applications, including:

- cement
- plastic resins
- grain
- dry bulk chemicals
- fly ash
- sand
- pulverized limestone
- sugar
- flour.

DuroFlow features **compact design** and **high power-to-weight ratio** which delivers up to 3 cfm per pound of bare machine weight. That keeps your hauling capacity up and your **costs down.**

Advanced two-lobe design mounts anywhere you need it – horizontally or vertically, rotates in either direction.

DuroFlow is extremely durable and built to last, with double-row ball and heavy-duty roller bearings throughout, along with hardened, forged steel gears.

Durable, Reliable, & Efficient

DuroFlow Delivers

- Pressure to 15 psig
- Vacuum to 15" Hg
- Airflow to 1752 cfm

Easy Installation

DuroFlow blower can be installed up to 50% faster than other makes. A simple installation kit is available, plus special optional silencers. No modifications or special rigging needed, just a drive line and a recommended PTO.

Step-Up Gear Option

Allows DuroFlow blowers to operate at the same high output. But you can use lower PTO speeds. That means you use less fuel to do the job.

Simple Field Servicing

To keep your downtime down, DuroFlow blowers are a breeze to maintain. And with the complete bearing-and-seal kits, off-the-shelf parts and assemblies, overhaul is quick and easy too.



DuroFlow Design Advantages

Dual Splash Lubrication

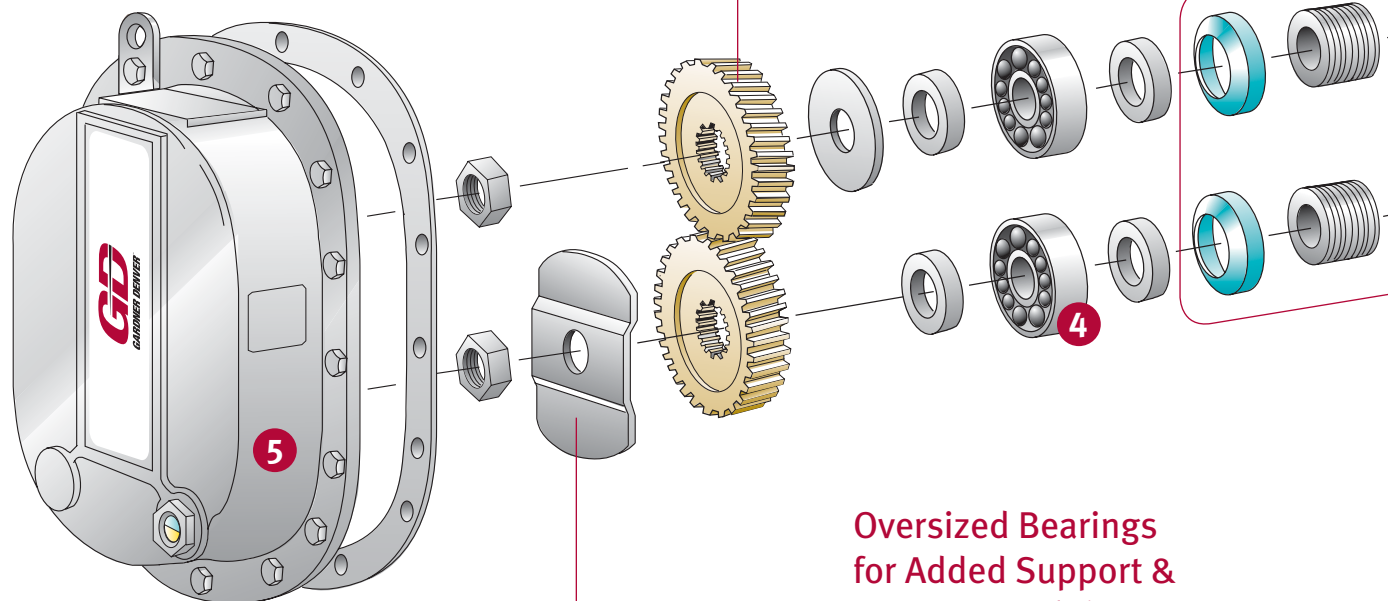
- Reliable splash lubrication at both gear and drive ends for longer product life (5)

Shaft Splines Assure Non-Slip Rotor Timing

- Helical timing gears are mounted on shaft splines (6)
- Provides quiet and smooth mechanical operation at all speeds

Improved Design Provides Leak-Free Operation

- Advanced Oil and Air Seals



Efficient Lubrication

- Slinger ensures lubricant is distributed to gears and bearings

Oversized Bearings for Added Support & Greater Durability

- Drive-end double-row angular contact ball bearings fix the rotor position (3)
- Gear-end roller bearings support each shaft (4)

Solid Rotors Eliminate Potential for Vibration

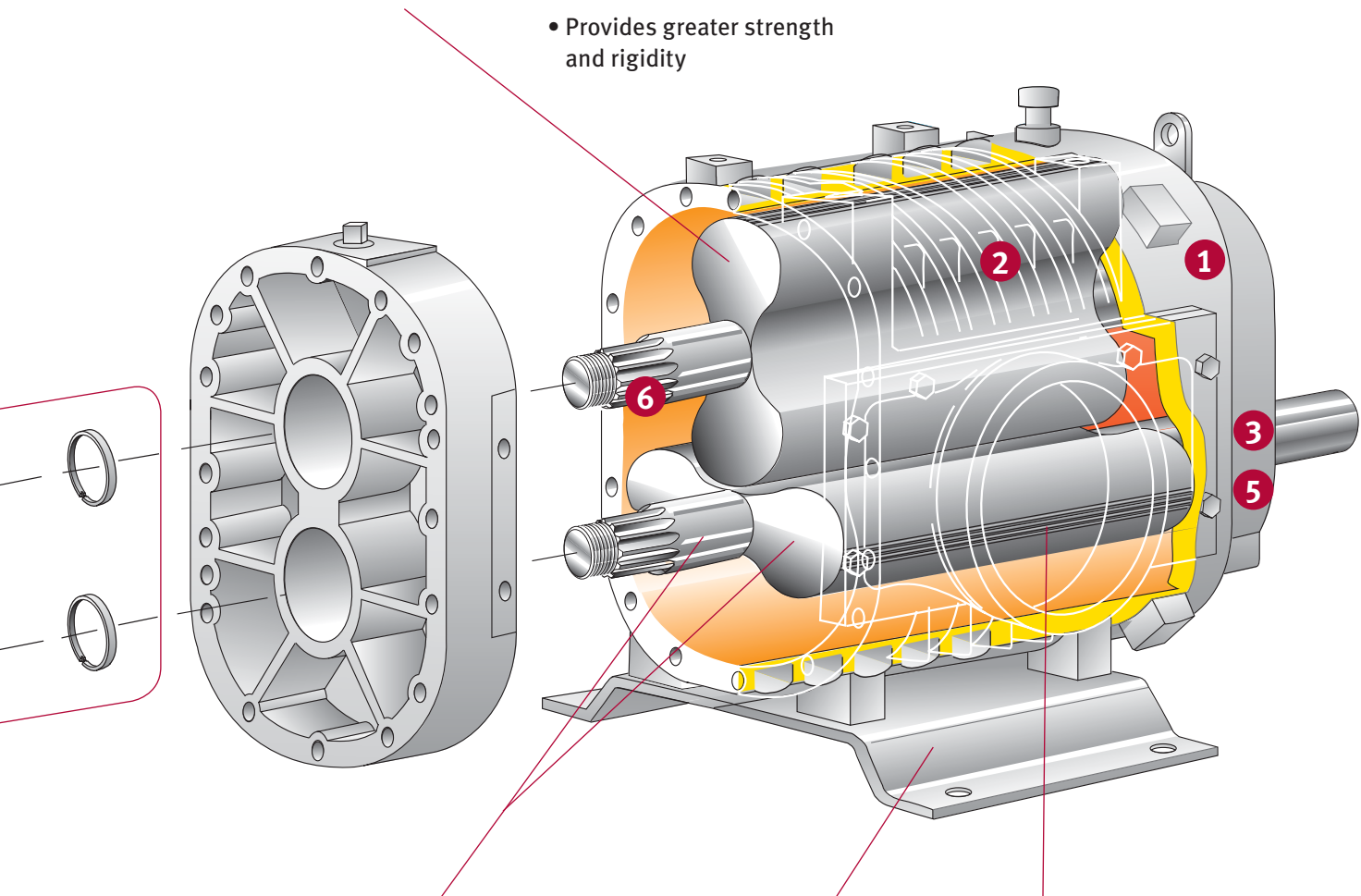
- Hollow rotors can become unbalanced due to build-up of ingested material inside the rotor

Single Piece Cylinder Prevents Distortion (1)

- Heavy-duty reinforced cast iron cylinder retains internal clearances
- Provides greater strength and rigidity

Cooler Operating Temperatures

- Integral ribs improve heat dissipation and improve performance (2)



Durable Rotors & Shafts

- Machined from a single, high-strength ductile iron casting
- Dynamically balanced

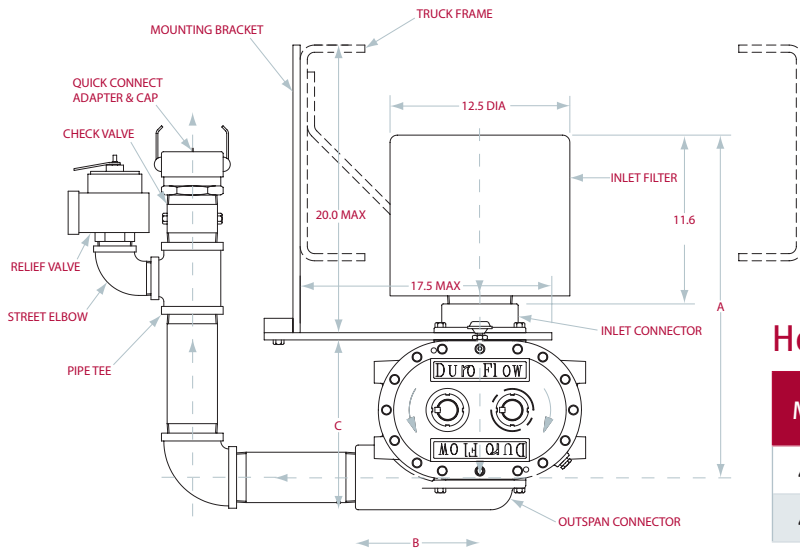
Vertical or Horizontal Mounting Configuration

- Flex-Mount™ design standard with each blower
- Flexibility for installing into any new or existing system

Serrated Tips Reduce Power Consumption

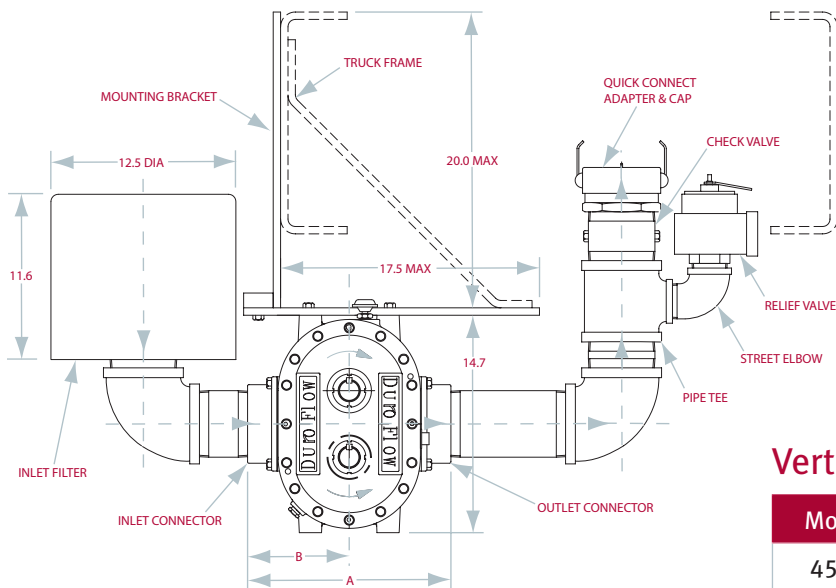
- Innovative rotor profile provides tighter clearances
- More air flow with less horsepower
- Precision machined with advanced CNC milling technology

Flexibility To Match Your Needs



Horizontal Mounting Kit

Model	Line Size	A	B	C
4509	3"	23.80	8.70	11.80
4512	4"	24.30	10.20	12.50



Vertical Mounting Kit

Model	Line Size	A	B
4504	4"	18.05	9.03
4506	4"	13.81	6.90
4509	4"	13.81	6.90
	5"	15.81	7.90
4512	6"	15.19	7.66
4518	8"	13.00	6.50

Performance

To Match Your Job



Model 4509-Vertical



Model 4509-Horizontal



Model 4512-Vertical Step-Up

3 Sizes, 5 Models with capacities to 1752 cfm

	PRESSURE PERFORMANCE								VACUUM PERFORMANCE							
	8 PSIG		10 PSIG		12 PSIG		15 PSIG		8 "Hg		10 "Hg		12 "Hg		15 "Hg	
Model/RPM	CFM	BHP	CFM	BHP	CFM	BHP	CFM	BHP	CFM	BHP	CFM	BHP	CFM	BHP	CFM	BHP
Model 4504																
2000 RPM	140	8	130	10	121	12			102	8	95	5	78	6		
2500 RPM	196	10	186	13	177	15	165	19	154	5	132	6	111	7	82	9
3000 RPM	252	13	242	16	233	19	221	23	195	6	169	8	145	9	110	11
3500 RPM	308	16	298	19	289	23	277	28	236	8	206	10	178	11	137	13
4000 RPM	364	19	354	23	345	27	333	33	277	10	244	12	211	13	165	16
Model 4506																
2000 RPM	223	12	209	15	197	18	181	22	162	12	150	7	125	9	90	11
2500 RPM	307	15	293	19	281	23	265	28	239	8	206	9	175	11	131	14
3000 RPM	391	19	377	23	365	28	349	34	300	10	262	12	225	14	173	17
3500 RPM	475	23	461	28	449	33	433	41	362	12	317	14	275	17	214	20
4000 RPM	559	28	545	33	533	39	517	48	423	14	373	17	325	20	256	23
Model 4509																
2000 RPM	338	18	318	23	301	27	277	34	247	18	228	11	190	13	137	16
2500 RPM	464	24	444	29	427	35	403	43	361	12	312	14	265	17	200	21
3000 RPM	590	29	570	36	553	43	529	52	453	15	395	18	340	21	262	26
3500 RPM	716	36	696	43	679	51	655	63	545	19	479	22	415	26	324	31
4000 RPM	842	43	822	52	805	60	781	74	637	23	562	27	490	30	387	36
Model 4512																
2000 RPM	483	24	461	30	441	36	413	45	353	24	325	15	275	18	205	22
2500 RPM	651	31	629	38	609	46	581	57	500	16	436	19	375	22	288	28
3000 RPM	819	39	797	47	777	56	749	69	623	20	548	24	475	28	371	34
3500 RPM	987	47	965	57	945	67	917	83	746	24	659	29	575	33	454	40
4000 RPM	1155	56	1133	67	1113	79	1085	97	868	29	770	34	675	40	537	47
Model 4518																
2000 RPM	744	36	713	45					544	36	500	22	426	26	321	33
2500 RPM	996	46	965	57					762	23	667	28	576	33	445	41
3000 RPM	1248	57	1217	70					947	29	834	35	726	41	570	50
3500 RPM	1500	68	1469	84					1131	35	1001	42	876	49	695	60
4000 RPM	1752	80	1721	98					1315	42	1168	50	1026	58	819	70

Performance based on inlet air at standard temperature of 68°F, an ambient pressure of 14.7 psia and 36% relative humidity.
For performance at non-standard conditions, contact your authorized Gardner Denver representative.

Parts, Service and a Warranty That Lasts



Factory Exchange Program & Remanufacture

If your DuroFlow blower ever does need factory service, we inventory and ship remanufactured replacement blowers almost immediately. So you get your payloads back on the road—fast. Remanufactured units carry a full factory-new warranty.

Full Warranty

DuroFlow Truck Blowers carry one of the industry's strongest warranties—12 months from date of initial use or 18 months from date of shipment to the first purchaser, whichever occurs first. You can be confident with DuroFlow.



Gardner Denver[®]



Member



www.GardnerDenverProducts.com mobilesolutions@gardnerdenver.com

Gardner Denver, Inc. 1800 Gardner Expressway, Quincy, IL 62305
Telephone: (800) 682-9868 FAX: (217) 221-8780

©2010 Gardner Denver, Inc. Printed in U.S.A. GDT-DF-FAM 1st Ed. 1/10
Supersedes DT-2-200



Please recycle after use.